

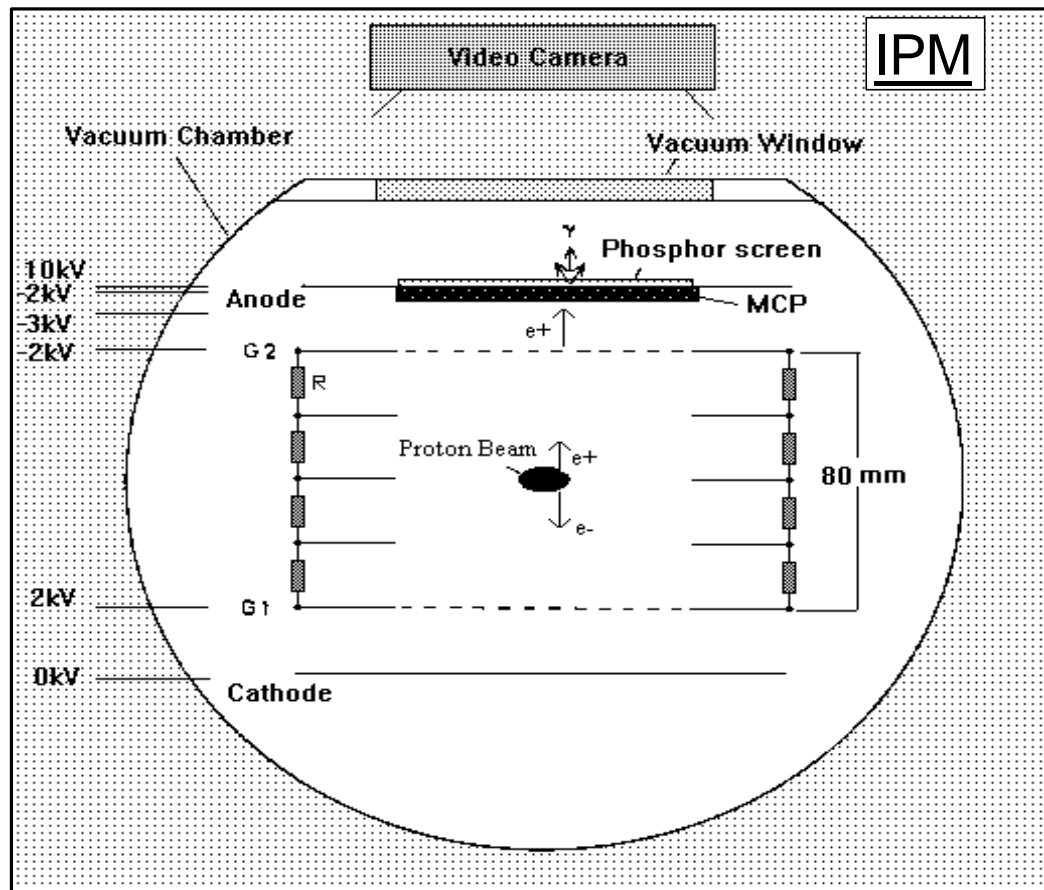
Present Status of Instrumentation at DESY

by K. Wittenburg, DESY

Quantity:	<u>Profile</u>	<u>BPM</u>	<u>Beam Loss</u>	<u>Current</u>	Misc
DESYIII	fast ⁵ wire scanners (up to 220 mA) IPM ¹ (first prototype was tested many years ago)	inductive pick-up ⁷	Scintillator ⁸	Toroid ¹⁰	"stepping wire" (in preparation) ² 3 resistive wall monitors ¹³
PETRAp	fast ⁵ wire (up to 160mA) IPM ¹ (sensitive, correct beam width at small bunch currents only)	capacitive pickup (button) (for e and p) ¹²	Long segmented Ion Chamber (planed) ¹⁴	Toroid ^{9,10,11}	"stepping wire" (in preparation) ² 2 resistive wall monitors ¹³
HERAp	OTR Screen (proposed, for injection ⁶) IPM ¹ (sensitive, correct beam width at small bunch currents only) fast ⁵ wire (up to 160mA)	Directional coupler Pickup (Stripline) ¹²	PIN diode BLMs (counting mode) ³	Toroid ^{9,10,11}	BLMs at scrapers ^{2,4} "stepping wire" (in preparation) ² fast wall current pick-up for bunch length measurement ¹⁵

Notes:
(see also figures)

- 1) gas ionization monitor system
- 2) For tail measurements, see talk
- 3) 10 MHz response, counting mode
- 4) PMTs and PIN diodes
- 5) up to 1 m/s, upgrade planed
- 6) for max. 10 bunches only, to measure the quadrupole moment
- 7) 30 kHz-250 MHz Bandwidth
- 8) Photomultiplier, > 10 MHz response.
- 9) DCCT slow current transformer typ PCT or M-PCT, 0-200 mA, res: 0.5 μ A, CD - 100kHz
- 10) AC Fast current transformer, 30 kHz - 20 MHz, Cal: 10^{11} p/V, res: $\ll 10\mu$ A, meas. precise transport efficiency
- 11) difference of 9) and 10) = coasting beam
- 12) Broadband readout (<96 ns)
- 13) for bunch length, timing and feedback; 2 MHz - 1 GHz bandwidth
- 14)
- 15) 200 kHz - 3 GHz, Linnecar type



- » Vacuum 10⁻⁹ mbar
- » 1 - 60 - 210 Bunches => << 0.1 - 160 mA
- » 7.5 - 40 - 820 GeV/c
- » beam width << 1 mm, length 30 - 3 cm

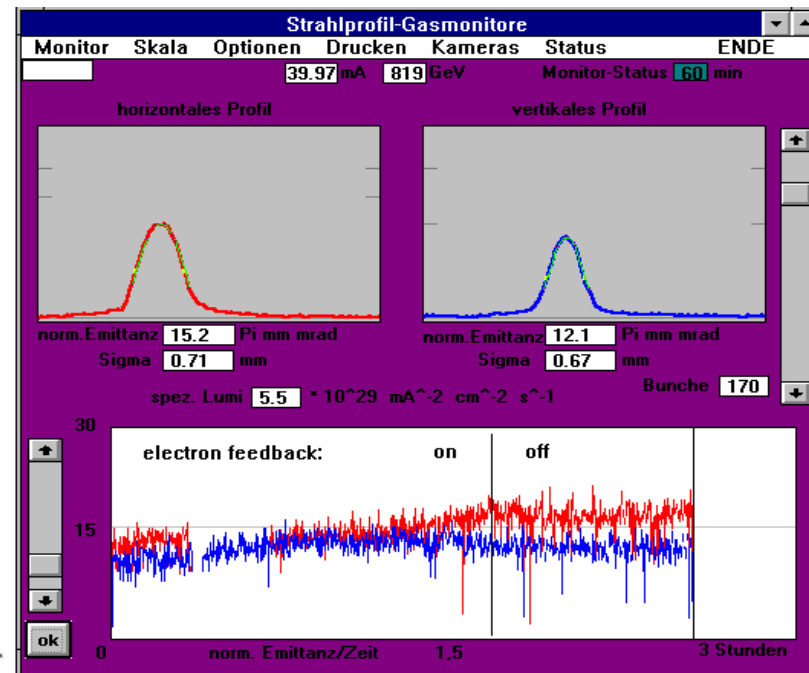
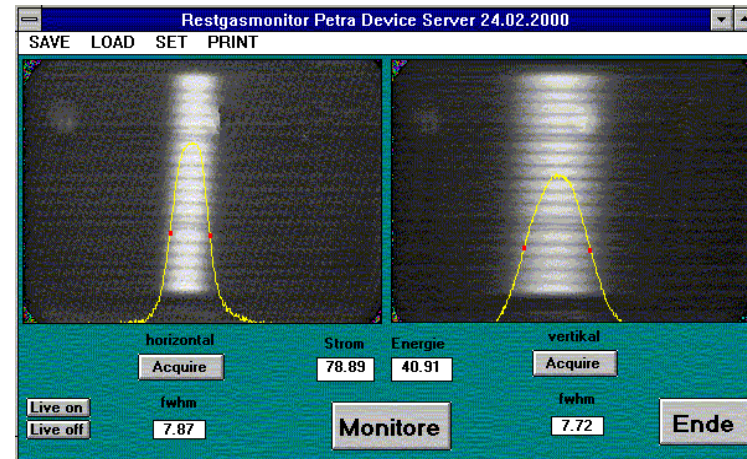
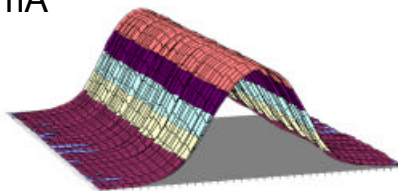
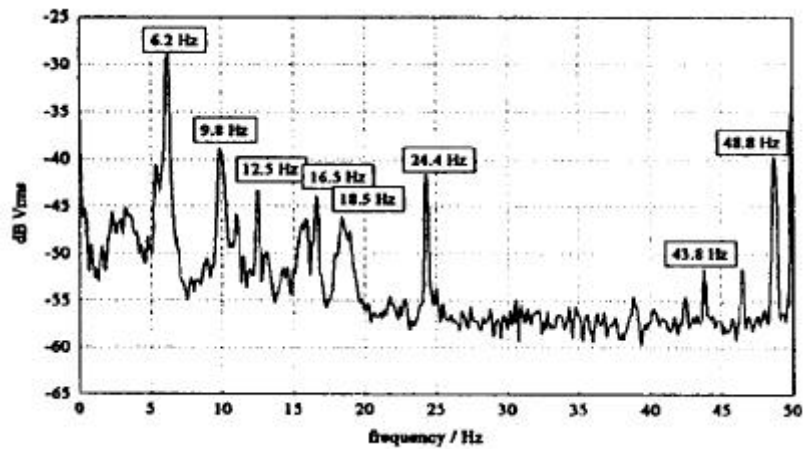


Fig. 1

BLMs at HERAp

Ground Motion



Proton Diffusion

The diffusion parameters at different tune modulation settings are measured by retracting a scraper from the beam tail and observing the adjacent loss rate decrease and slow increase afterwards.

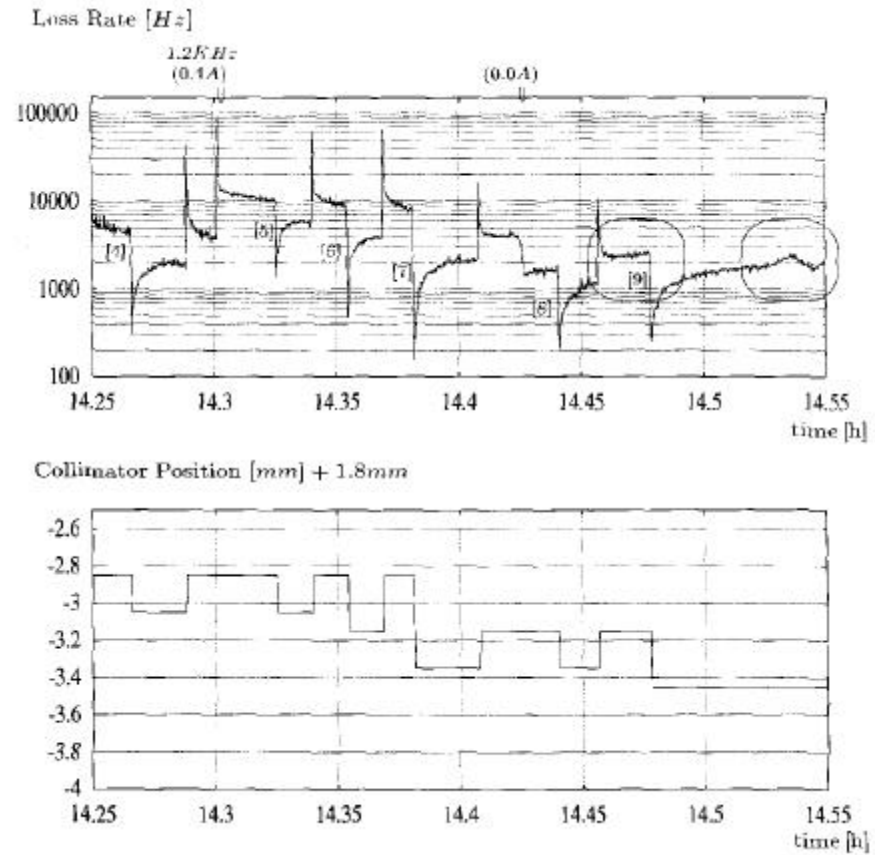
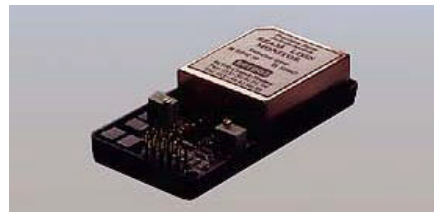
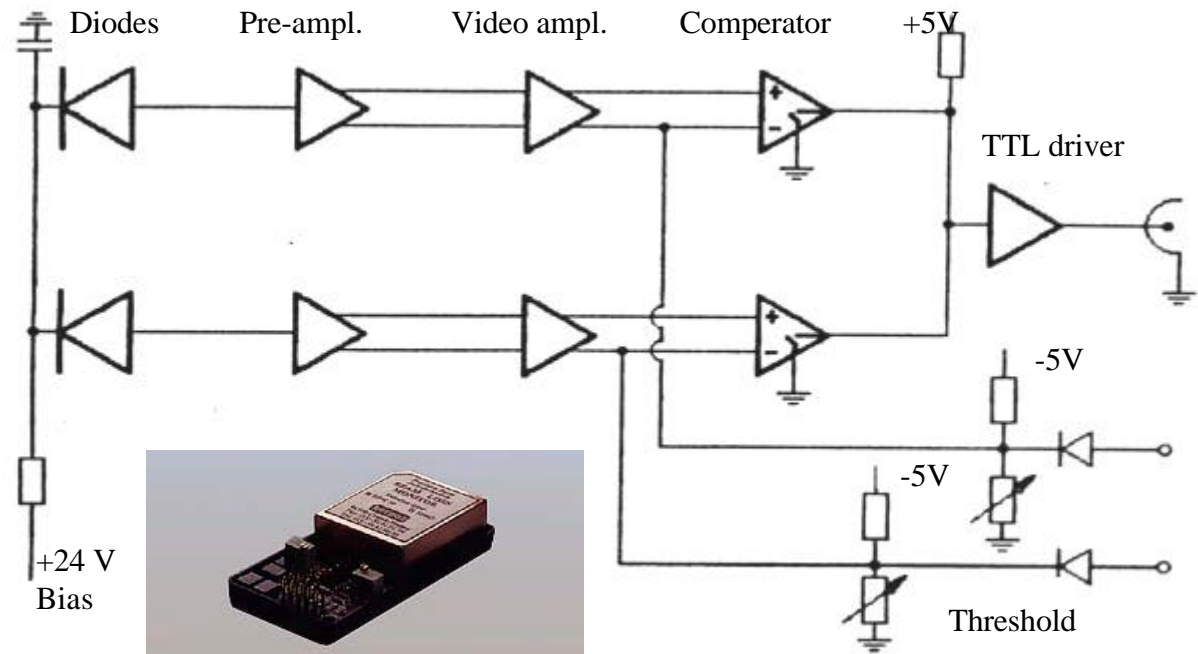
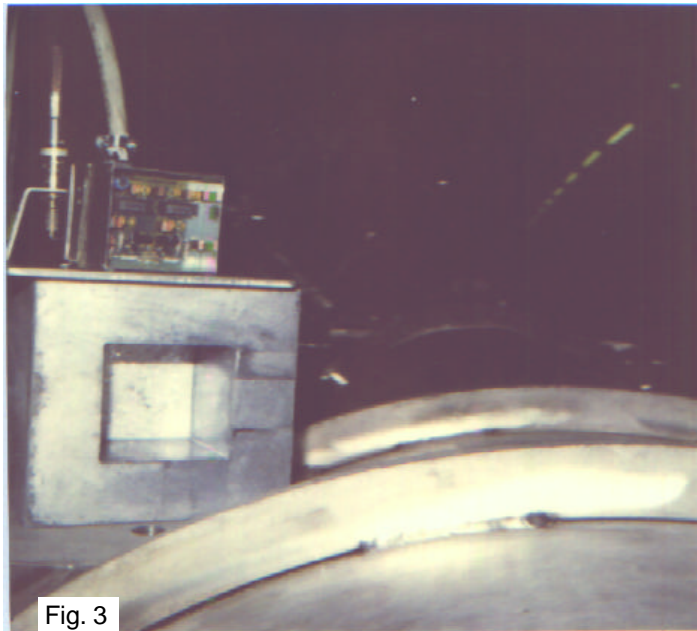
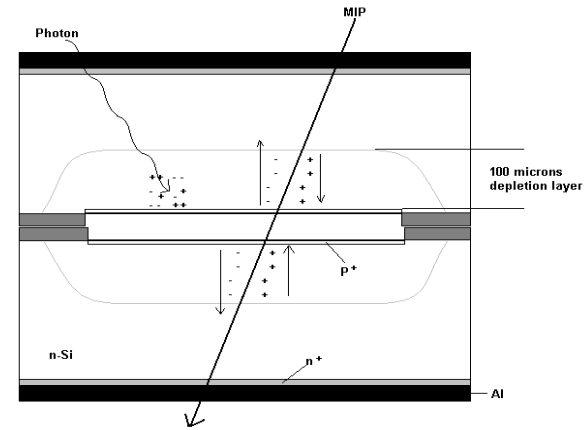


Fig. 2

Sensitive and fast amplifier with low noise and with a fast coincidence following

- Efficiency to charged particles: 30%
- TTL output for counting
- Very low noise:
- Dark count rate < 0.01 Hz
- max. count rate > 10.4 MHz
- Very high dynamic range: >10⁹
- Insensitive to synchrotron radiation:
- Efficiency to γ : $3.5 \cdot 10^{-5}$
- Coincidence + lead: 1Hz at 1.5 Gy/h (e- ring at max.)

BLMs at HERA



Wire scanners in all circular accel. at DESY

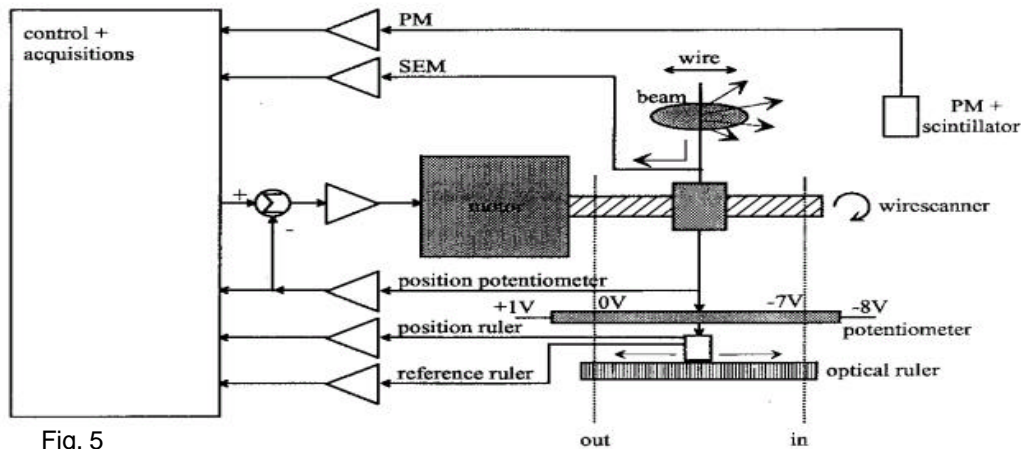
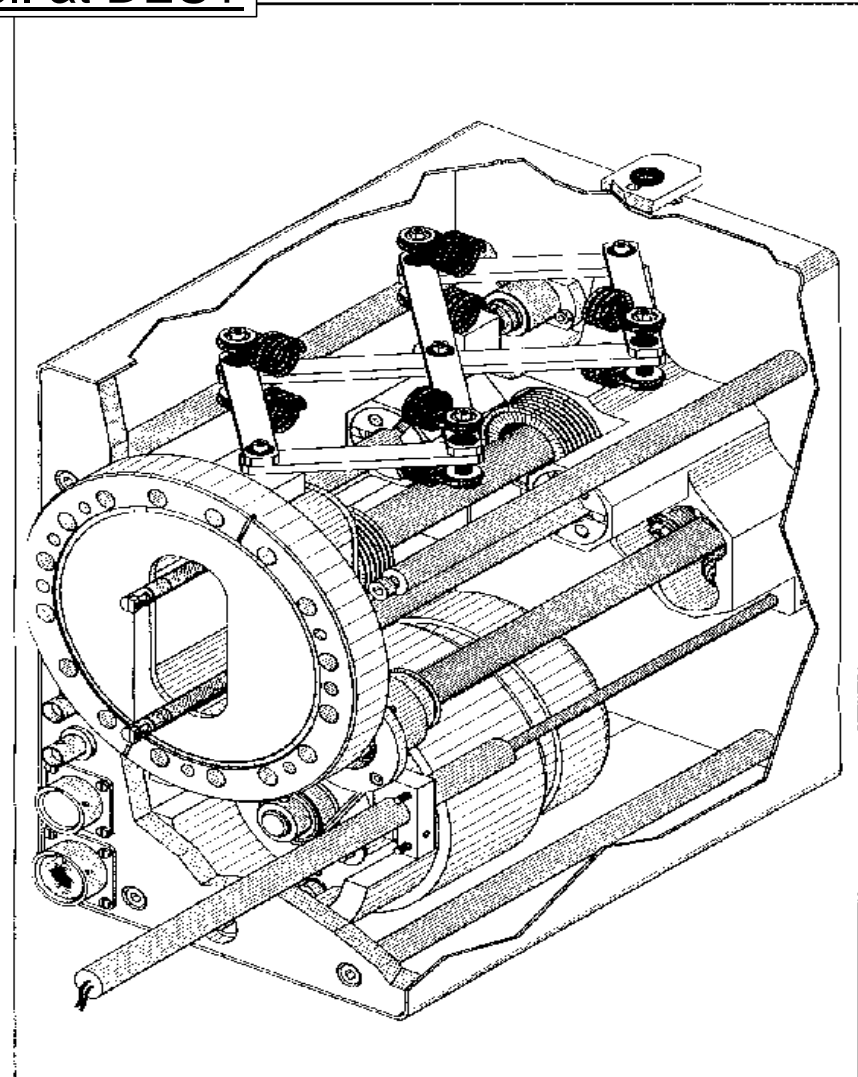
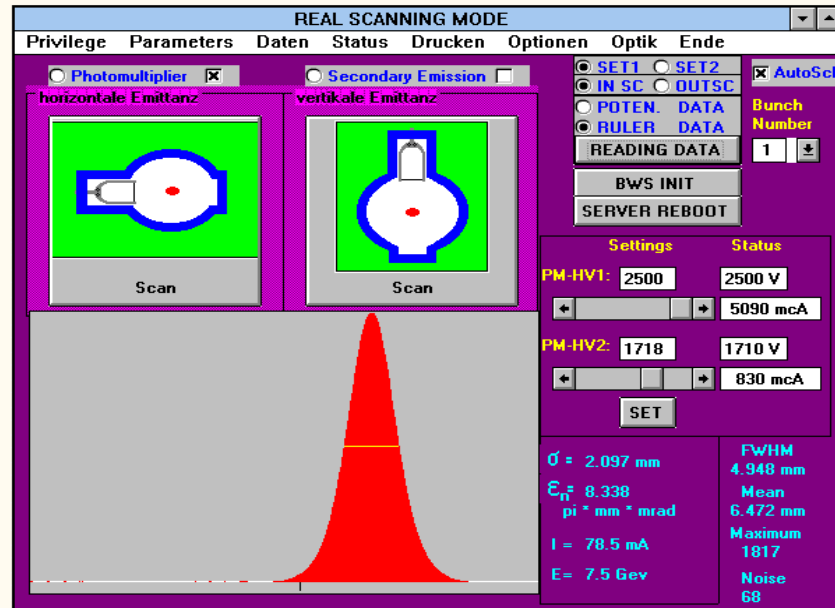
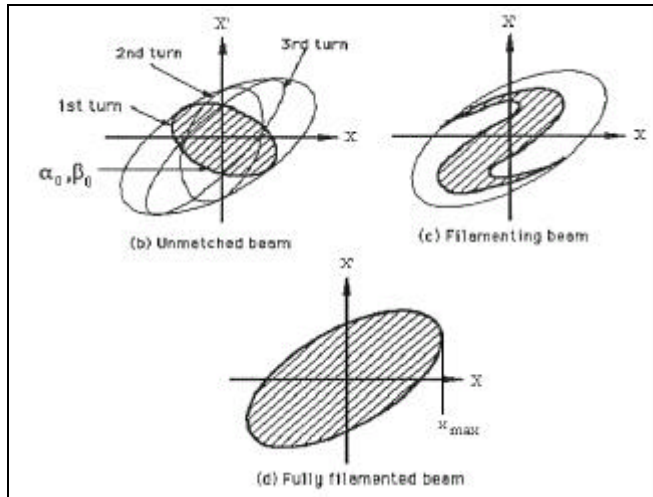
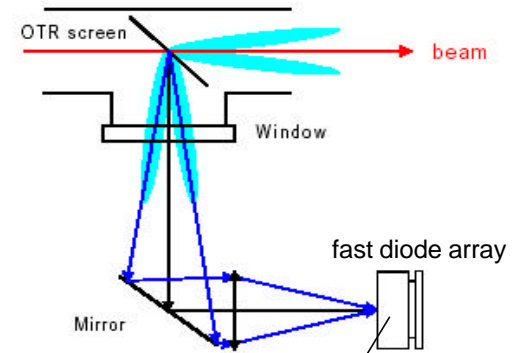


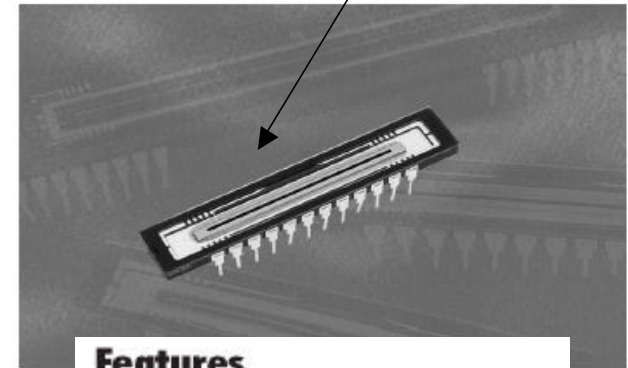
Fig. 5



Quadrupole oscillation monitor; OTR screen



: Matching monitor set-up in the SPS

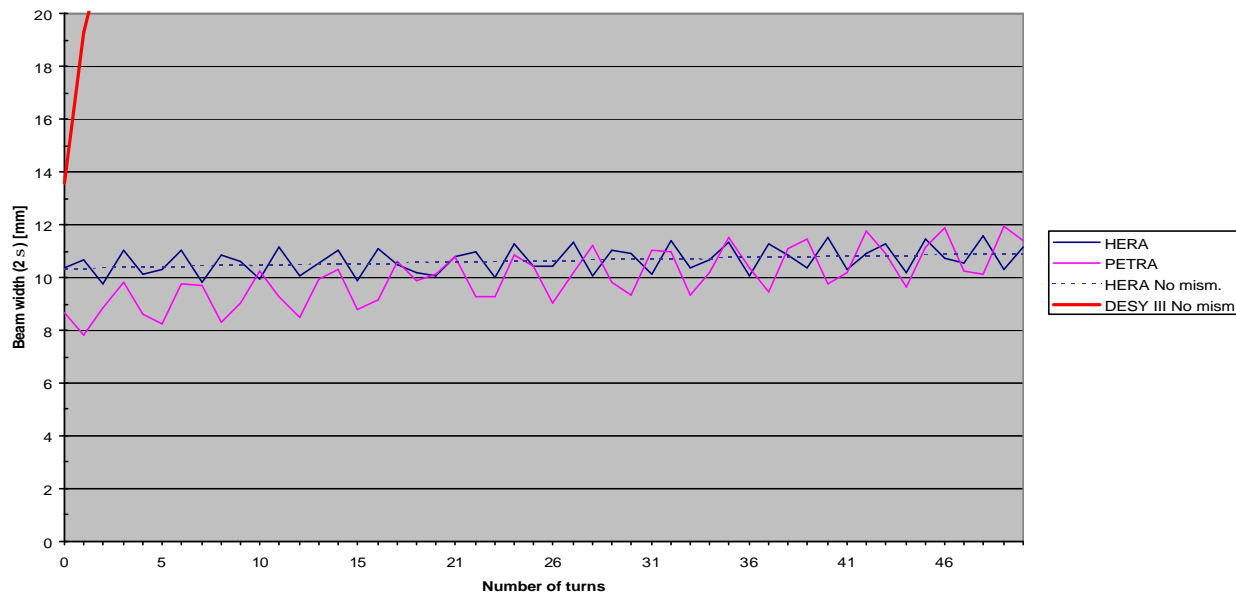


Features

- Single output, up to 15MHz data rate
- 13µm (H) x 500µm (V) pixel size
- Photodiode photoelements
- 2048 elements
- Antiblooming and exposure control

Overview

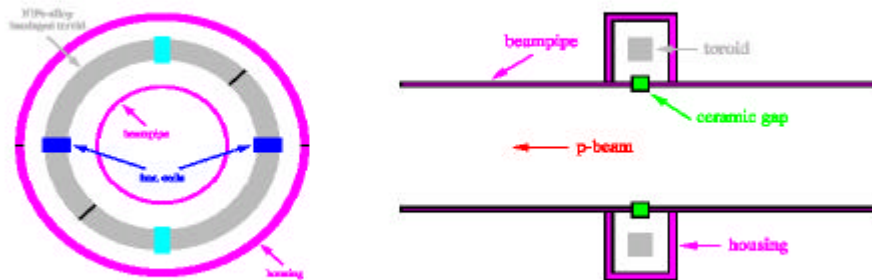
Physical Characteristics	IL-C6
Pixel dimensions	13µm x 500µm
Aperture	26.6mm x 0.5mm
Active pixels	2048
Isolation pixels per line	5
Light-shielded pixels per line	4



The following fig. 2 shows a simulation for the first 10 turns in HERA. A 10% β - or α - mismatch lead to a shape oscillation of up to 2 mm (2σ).

Fig. 6

Inductive Beam-Position Pickup



Schematic of the inductive beam-position pickup.

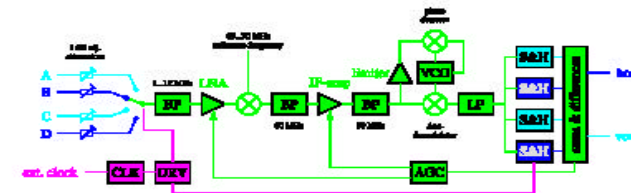
- Circular beampipe of 84 mm diameter aperture.
- 10 mm wide ceramic gap.
- 134 mm diameter NiFe-alloy bandaged toroid transformer with 4 orthogonally arranged single-loops (electrode-coils).
- Normalized sensitivity $\Delta/\Sigma \approx 1.2\%/mm$ with a high linearity over the full aperture.
- Typical signal levels range between some 10 mV at flat-bottom and several volts at flat-top energy (peak-peak amplitudes, 50 Ω termination).
- 30 kHz...250 MHz (-3 dB) bandwidth.

DESY III BPMs



Fig. 7

Electronics Hardware

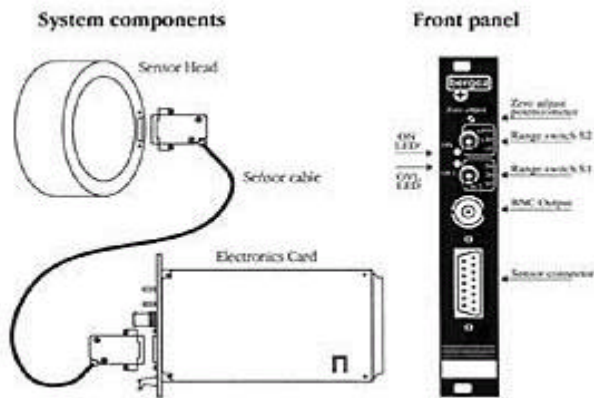


Schematic of the modified analogue *BERGOZ* BPM-electronics.

Wherever possible, commercial subsystems and modules were used for electronics hardware of the BOM/BPM-system:

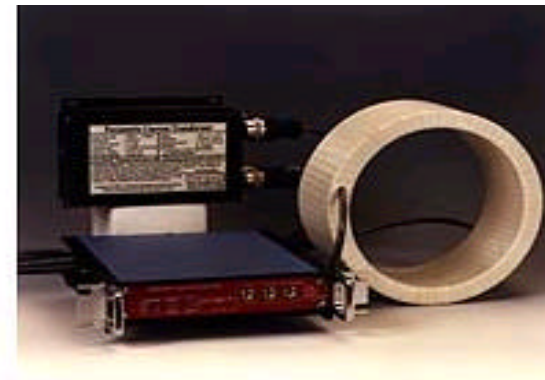
- A modified *BERGOZ* BPM-electronics for the analogue signal processing:
 - Input frequency range $\approx 3...10$ MHz, to guarantee the detection of any number of bunches in the ring.
 - IF center frequency of 60 MHz, 500 kHz bandwidth.
 - External LO input, driven from the rf-synchronous DESY-III low-level rf-synthesizer ($\approx 63...70$ MHz).
 - Changes on the internal clock frequency and AGC loops.
- Two C-size VXI digitizer-boards (*VXI-Technologies VM2616*) with 64 independent 16-bit ADC's sharing 512kWord of total memory.
- A PC plug-in delay generator (*Stanford DG135*), which delivers the ADC trigger.
- Usual PC-hardware, including a IEEE1394 "Firewire"-link to the VXI-crate.

MPCT Modular Parametric Current Transformer



see Bergoz homepage

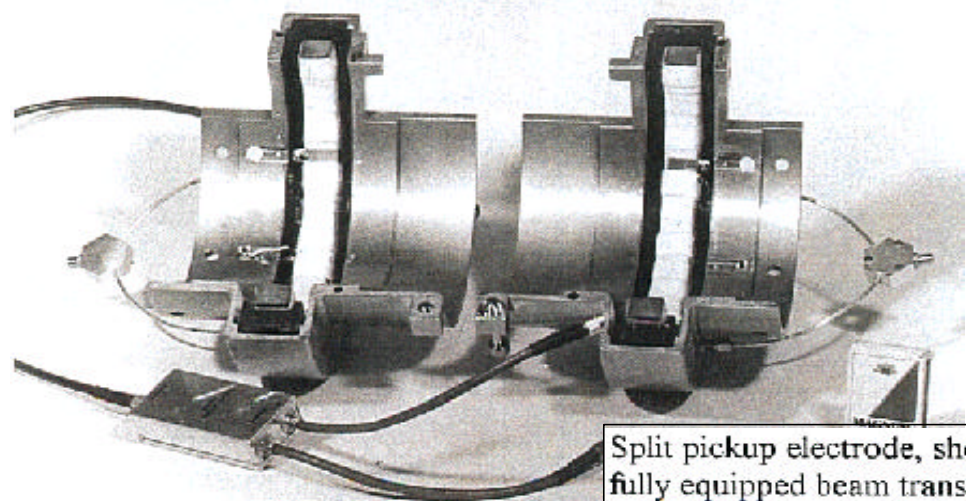
PCT Parametric Current Transformer



The PCT is used on most particle accelerators in the world to measure the average beam current. It is an essential instrument for machine tuning and commissioning. It is often the only truly calibrated beam instrument in an accelerator. It serves as a reference to calibrate other beam diagnostics. The PCT is used on most particle accelerators in the world to measure the average beam current. It is an essential instrument for machine tuning and commissioning. It is often the only truly calibrated beam instrument in an accelerator. It serves as a reference to calibrate other beam diagnostics.

Fig. 9

Fast AC bunch current monitor



Split pickup electrode, showing fully equipped beam transformer-halfores embedded in their halfcovers

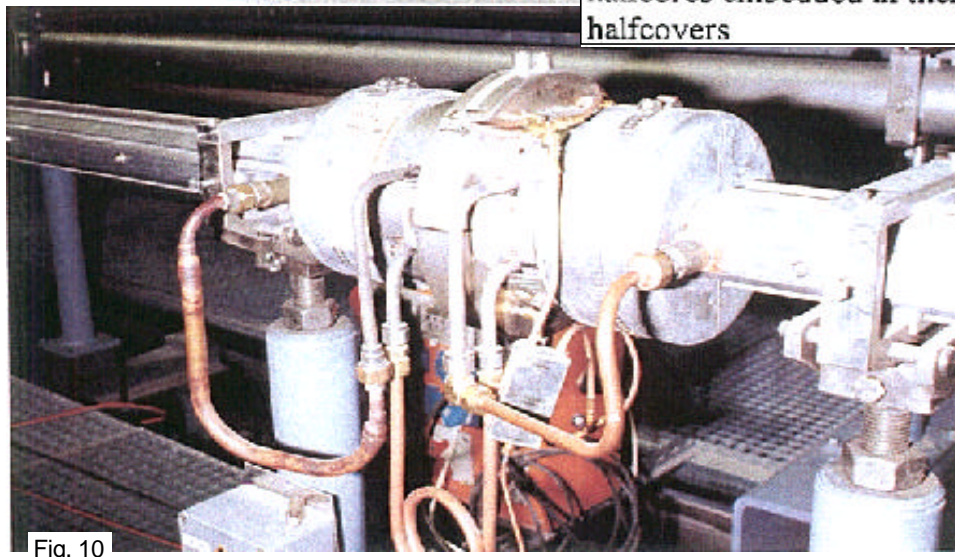


Fig. 10

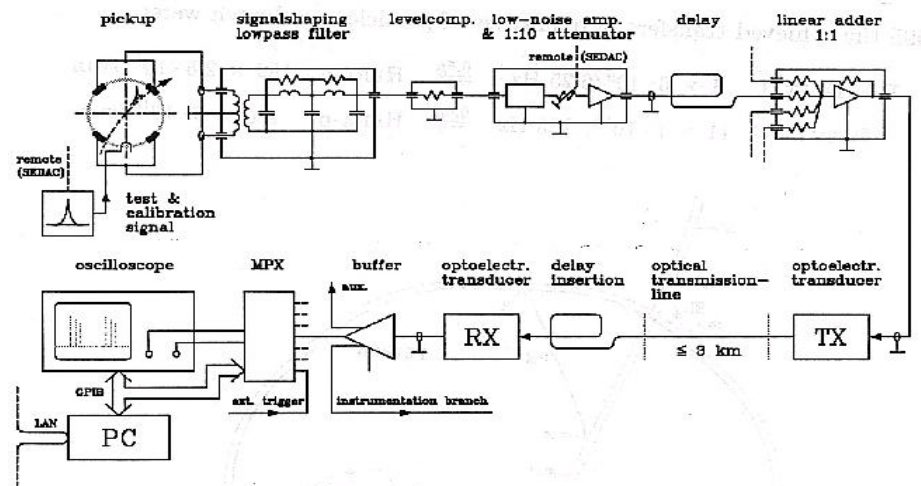


Figure. 3. Overview of a transmission monitoring setup

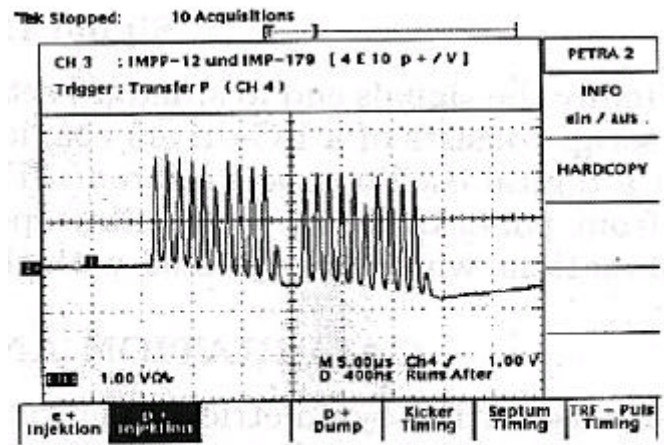
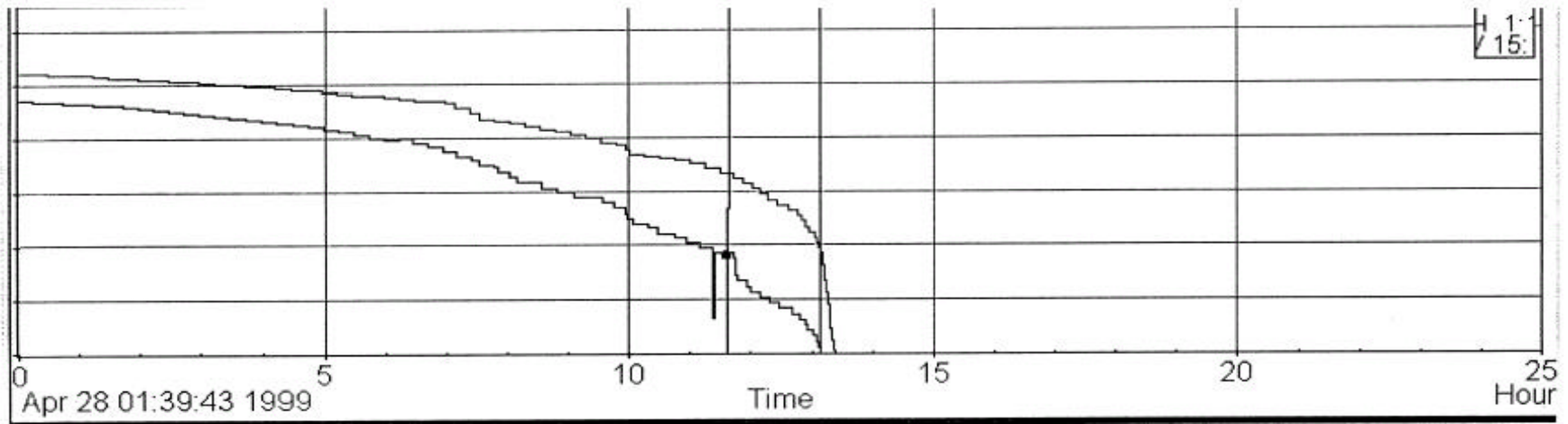


Figure. 5. Proton transfer (P. -line) DESY III - PETRA II

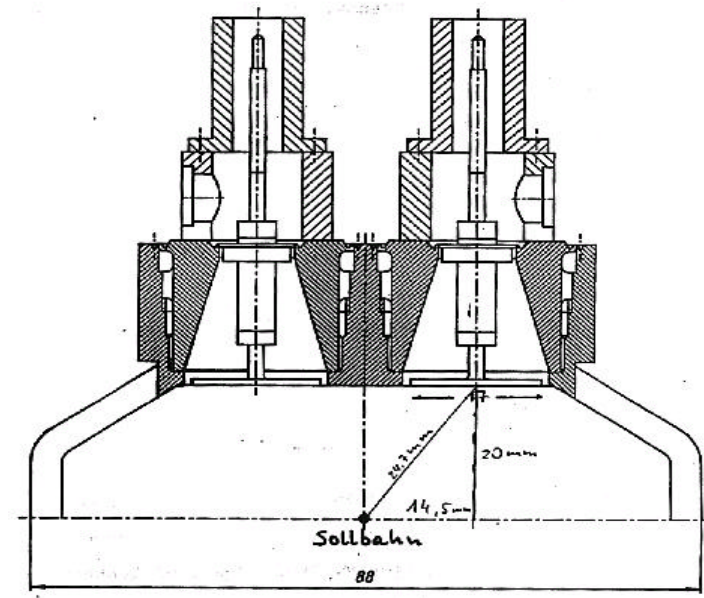
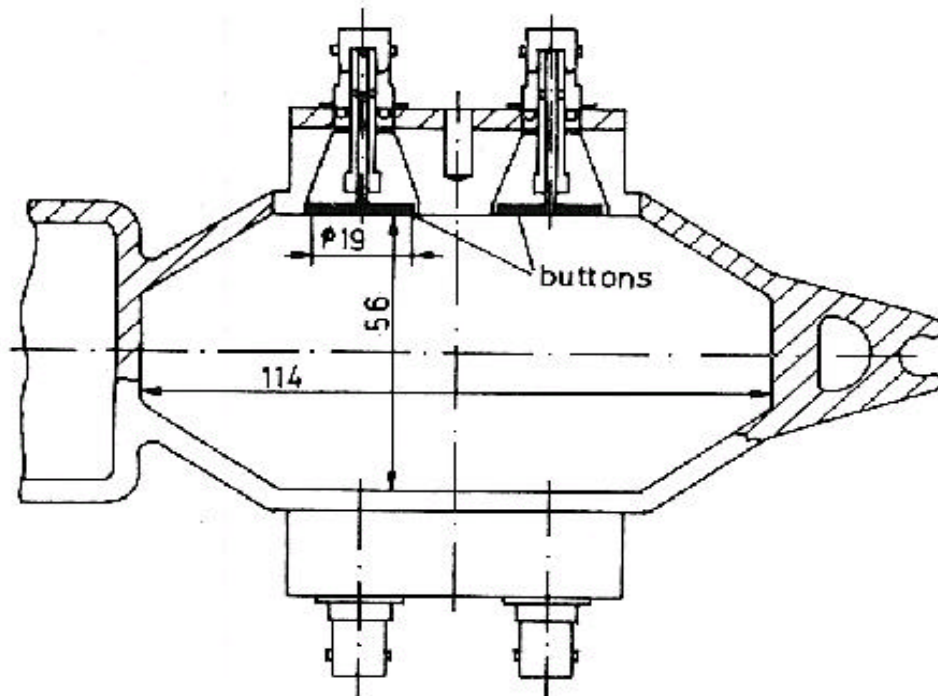
coasting beam in HERA



Total DC current (upper) and total bunch current (lower)

Fig. 11

Button pickups in PETRA (protons and electrons) and HERA (electrons)



HERA

Figure 1: The PETRA button pick-up

Stripline BPM in HERA (protons)

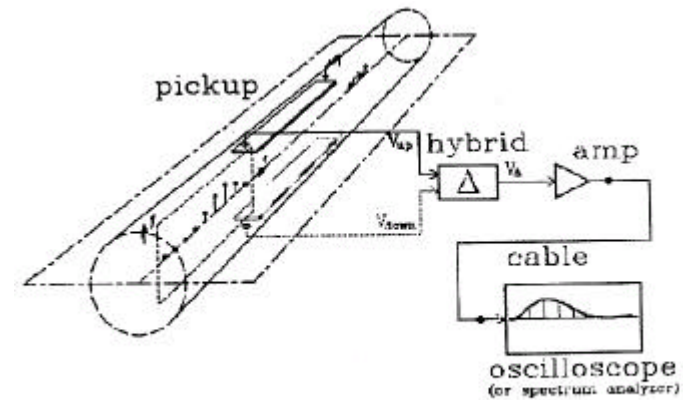


Figure 1. Transverse beam monitor setup

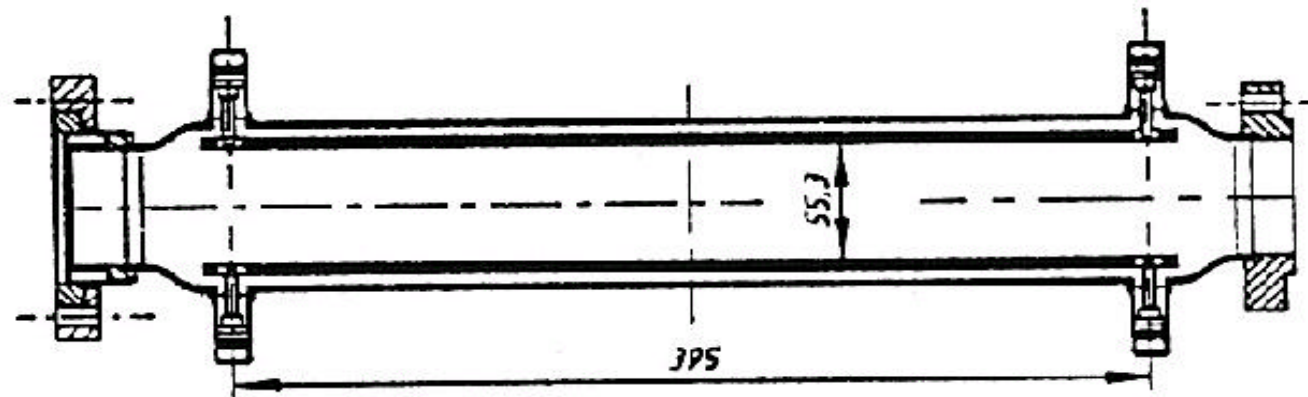


Figure 3: Technical drawing of the HERA beam position pick-up (longitudinal section)

Longitudinales Multibunch-Feedback (DESY 3)

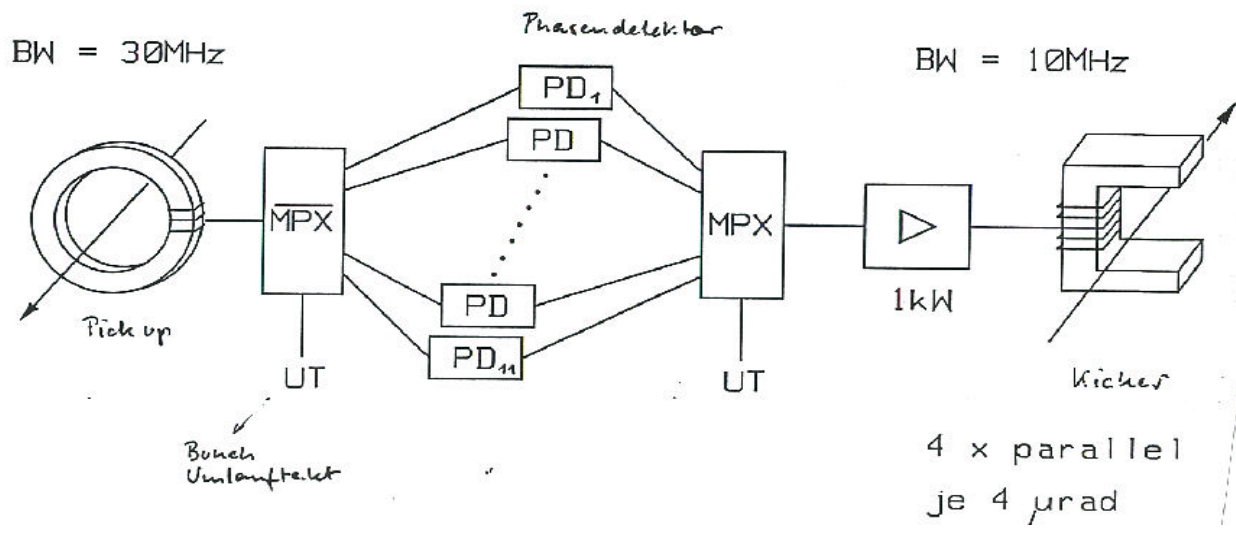


Fig. 13

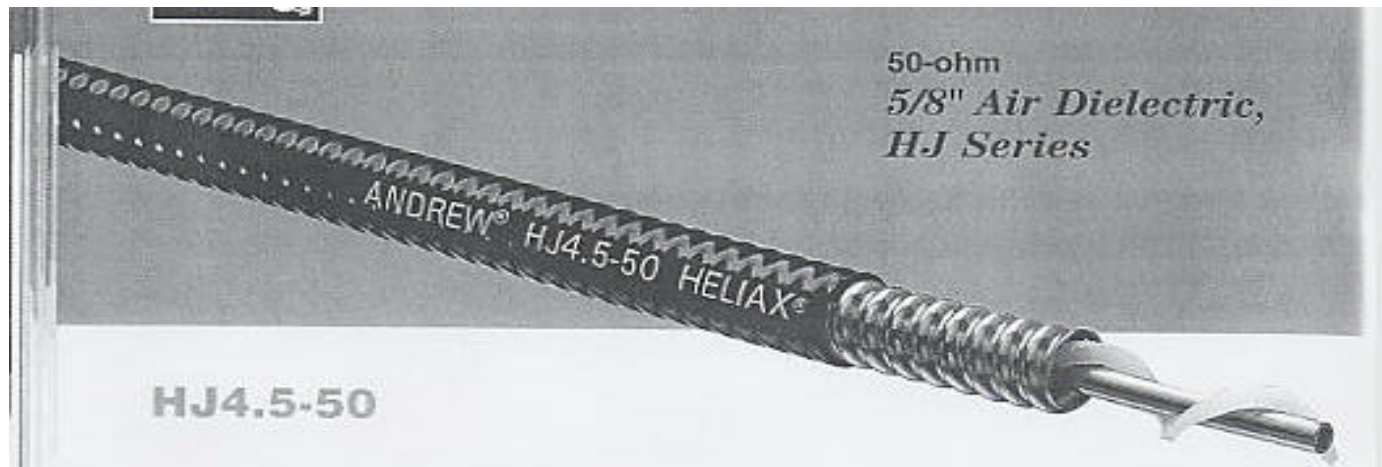
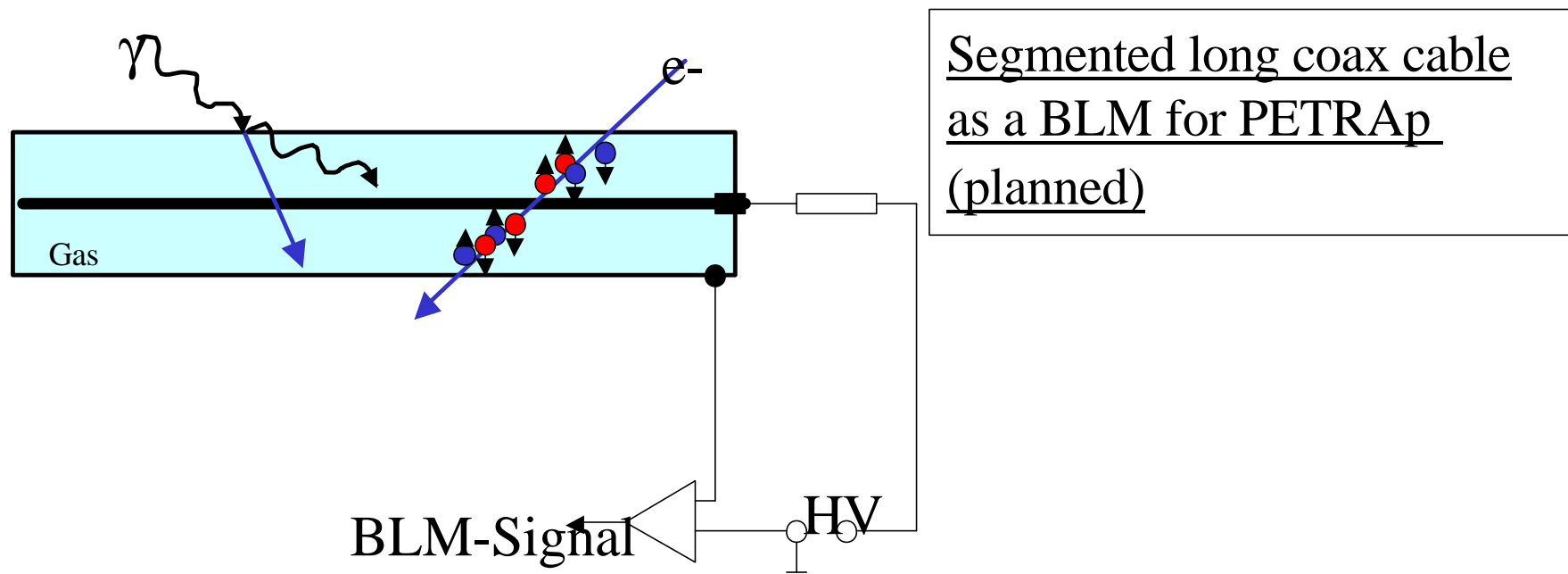


Fig. 14

Fast wall-current monitor in HERAp

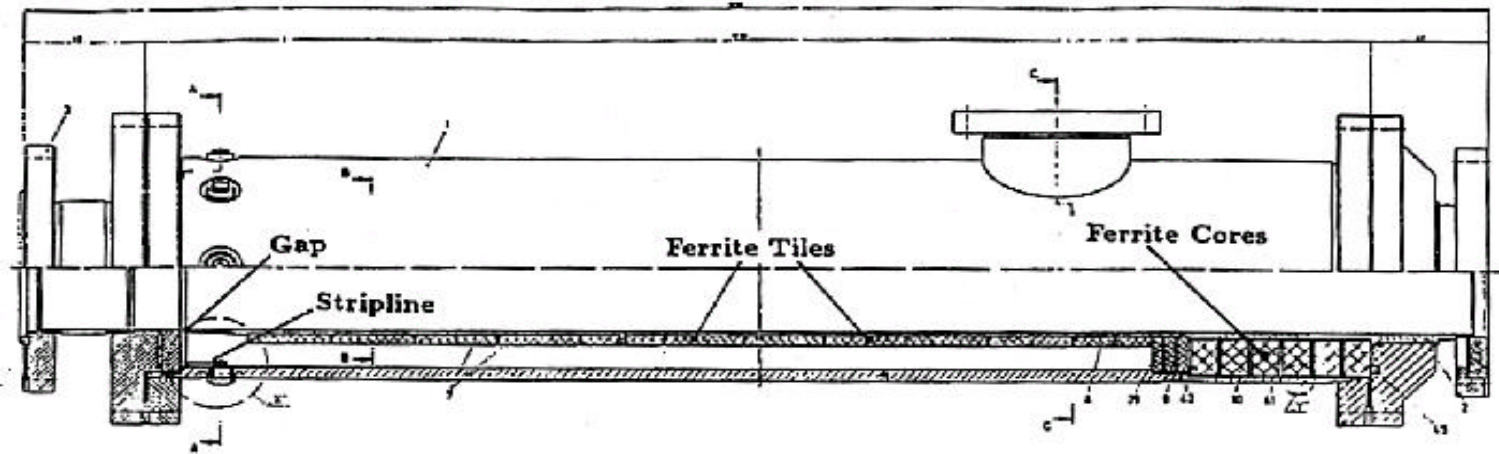


Figure 1: Wall Current Pick-up

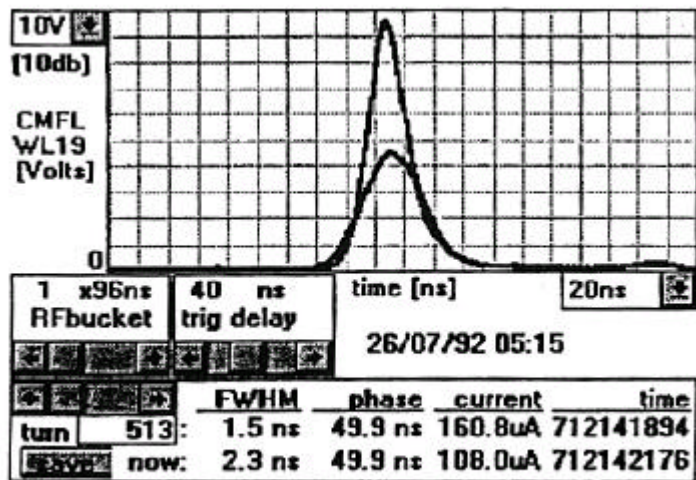


Figure 2: Injected Bunch Momentum Matched

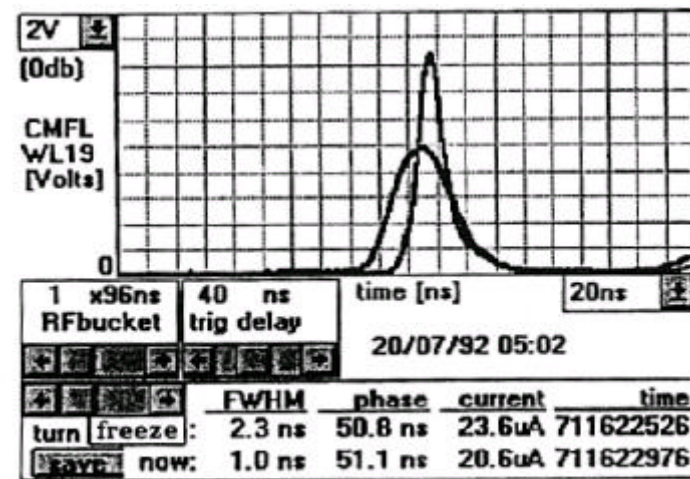


Figure 3: Bunch Compression Test At 820GeV/c

References

Longitudinal Schottky Signal Monitoring for Protons in HERA/ Kriens, W ; Minty, M ;

In: 7th European Particle Accelerator Conference, Vienna, Austria, 26- 30 Jun 2000 - European Phys. Soc., Geneva, 2000. - pp.e-proc. 1762

Enert, M.;Heins, D.;Klute, J.;Kohaupt, R.D.;Matthiesen, K.H.;Meinen, J.;Musfeldt, H.;Patzold, S.;Richter, K.H.;Rummler, J.;Scholz, H.P.;Schweiger, M.;Sommerfeld, M.;Thiess, J.:(DESY)
Transverse and longitudinal multibunch feedback systems for PETRA
DESY-91-036

The Desy III Beam-Orbit Measurement System

Manfred Wendt and John R. Maidment
BIW 2000

TRANSMISSION MONITORING IN THE DESY ACCELERATOR CHAINS.

By H. Burfeindt, W. Radloff (DESY). DESY-M-96-22, Dec 1996. 10pp.

Talk given at the 7th Beam Instrumentation Workshop (BIW 96), Argonne, IL, 6-9 May 1996.

In *Argonne 1996, Beam instrumentation* 438-445.

Observation of the proton Bunch behaviour in HERA

G. Lopez, J.R. Maidment, J. Speth (DESY)
15th International Conference on High Energy Accelerators,
20.6.-24.6.1992, Hamburg, Germany

ESTIMATION OF THE OUTPUT SIGNAL STRENGTH OF THE PETRA BEAM POSITION PICKUP FOR PROTON BUNCHES.

By W. Schutte, M. Wendt (DESY). DESY HERA-87-05, Mar 1987. 13pp.

THE NEW DIRECTIONAL COUPLER PICKUP FOR THE HERA PROTON BEAM POSITION MONITORING SYSTEM.

By W. Schutte, M. Wendt, K.H. Mess.

Hamburg Desy - DESY HERA 87-08 (87,REC.MAY) 3p In *Washington 1987, IEEE Particle Accelerator Conference* 1725-172.

Precision Alignment of BPM's with Quadrupole Magnets

/ Brinker, F ; Hagedstedt, A ; Wendt, M

In: 18th International Linear Accelerator Conference - Linac '96, Geneva, Switzerland, 26 - 30 Aug 1996 / Ed. by Hill, Charles E and Vretenar, Maurizio - CERN, Geneva, 1996. [CERN-96-07]

Beam Loss Monitoring and Control

Kay Wittenburg, Deutsches Elektronen Synchrotron DESY, Hamburg, Germany
Proc. Eighth European Particle Accelerator Conference
La Villette – PARIS, 3 - 7 June 2002

F. Ridoutt, K. Wittenburg

Deutsches Elektronen Synchrotron, DESY

Experience with the Electron and Proton Beam Loss monitor System at HERA
Proc. EPAC 1996, Stiges

K. Wittenburg

Deutsches Elektronen Synchrotron, DESY

A Non Destructive Way to measure Betatron Mismatch at Injection
Proc. DIPAC 97, Frascati, Italy

K. Wittenburg (DESY), I. Krouptchenkow (IHEP)

A Proposal for Betatron Mismatch Detection in the DESY Proton Accelerators
DESY-HERA 99-05

THE OTR SCREEN BETATRON MATCHING MONITOR OF THE CERN SPS.

By C. Bovet, R.J. Colchester, G. Ferioli, J.J. Gras, R. Jung, J.M. Vouillot (CERN). CERN-SL-99-050-BI, CERN-SL-99-50-BI, Sep 1999. 6pp.

4th European Workshop on Beam Diagnostics and Instrumentation for Particle Accelerators -DIPAC '99, Chester, UK, 16 - 18 May 1999.

M. Werner, K. Wittenburg, DESY, Hamburg, Germany,

A NEW WIRES CANNER CONTROL UNIT

5th European Workshop on Diagnostics and Beam Instrumentation
13th -15th May, 2001, ESRF, Grenoble, France

K. Wittenburg ; Deutsches Elektronen Synchrotron, DESY, **Experience with the Residual Gas Ionization Beam Profile Monitors at the DESY Proton Accelerators**, 3rd European Particle Accelerator Conference, 24.3.-28.3.1992, Berlin, Germany and DESY HERA 92-12

T. Schotmann, **Das Aufloesungsvermoegen der Restgasionisations-Strahlprofilmonitore fuer Protonenstrahlen in PETRA und HERA**, Diploma thesis, DESY-HERA 93-09

G. Samulat, **Stahlprofilmessungen in den HERA-Protonen-Beschleunigern unter Ausnutzung der Restgasionisation**, Diploma thesis, DESY-HERA 89-18,